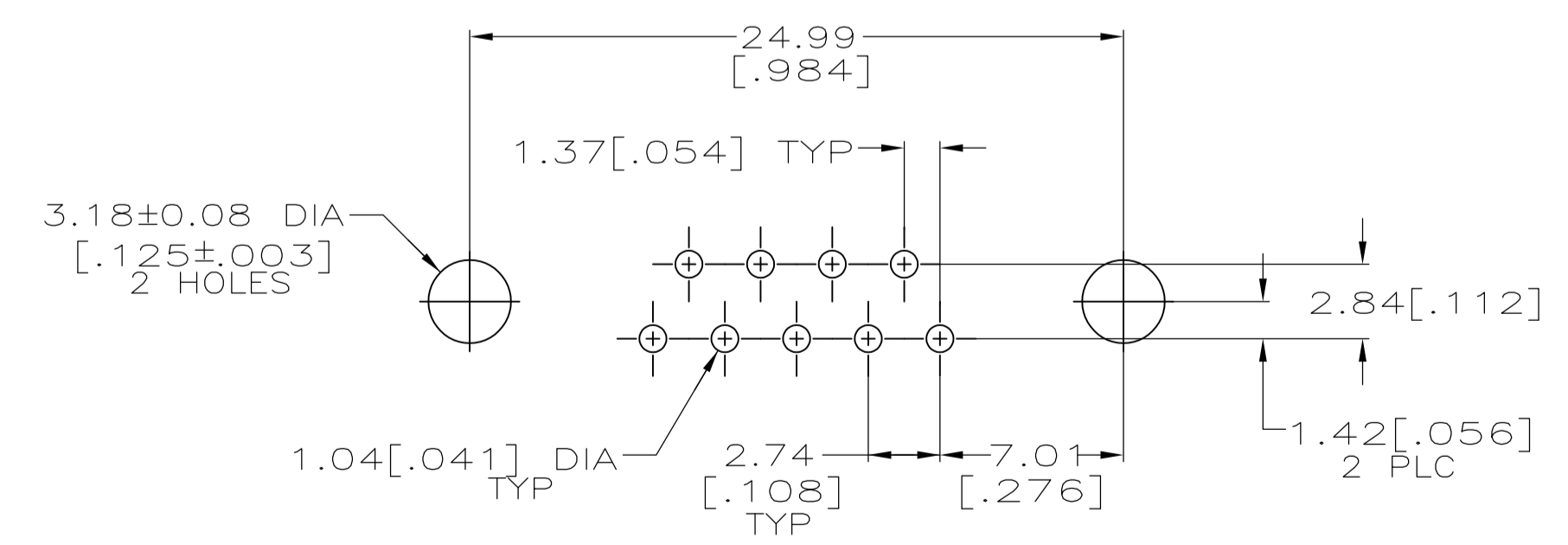
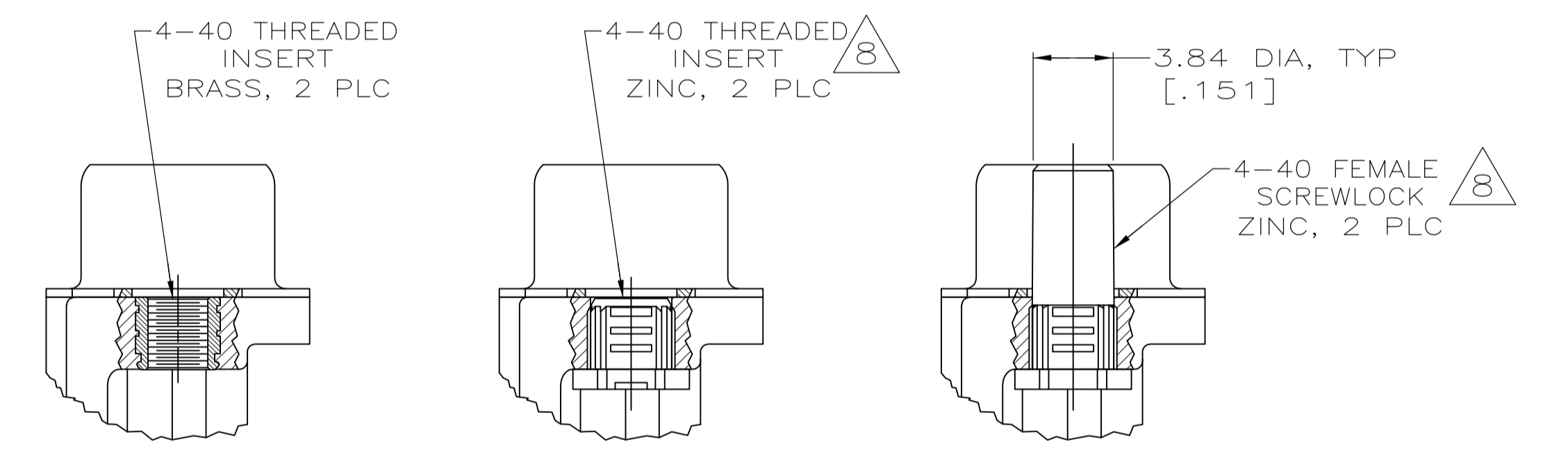
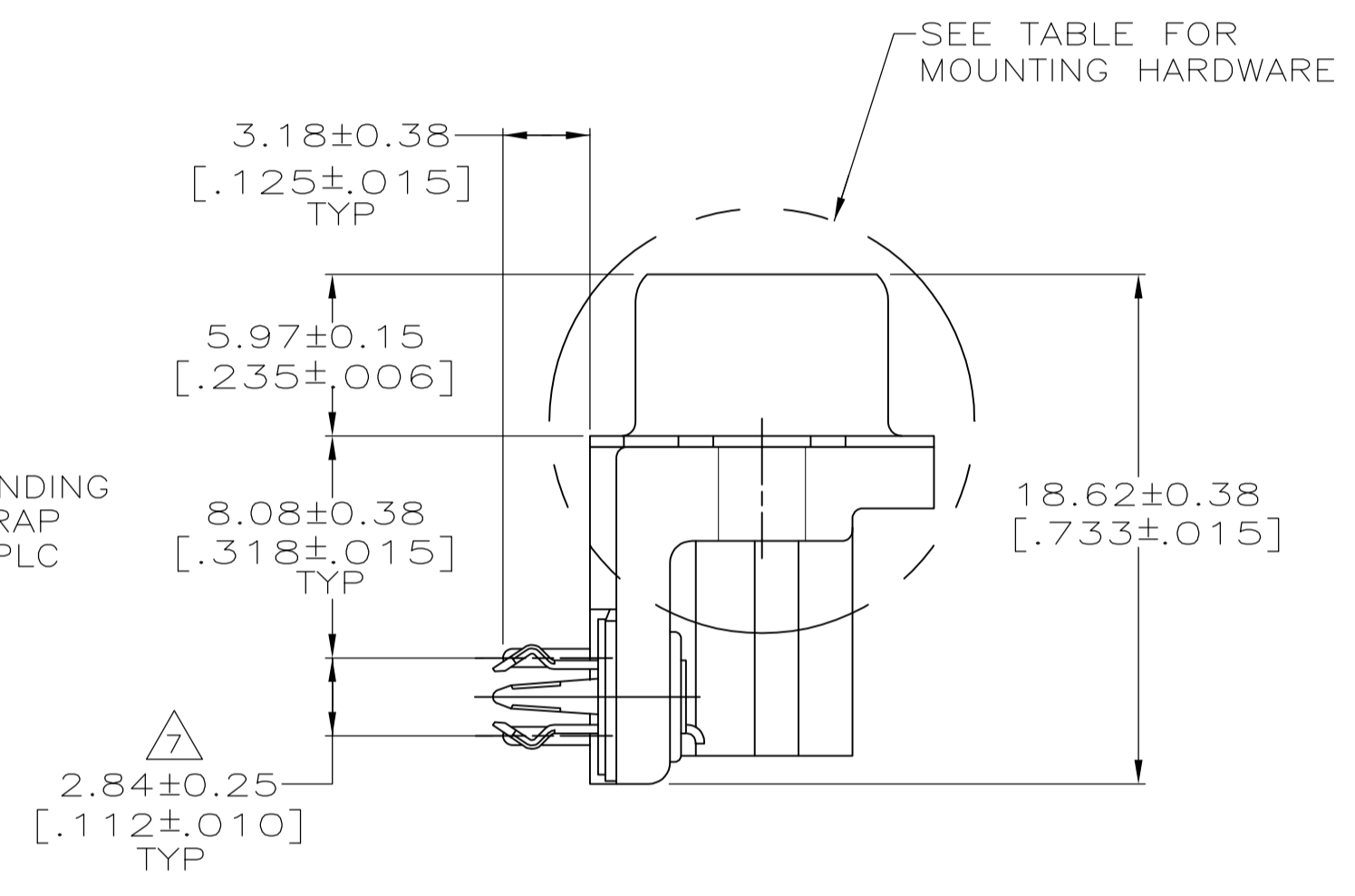
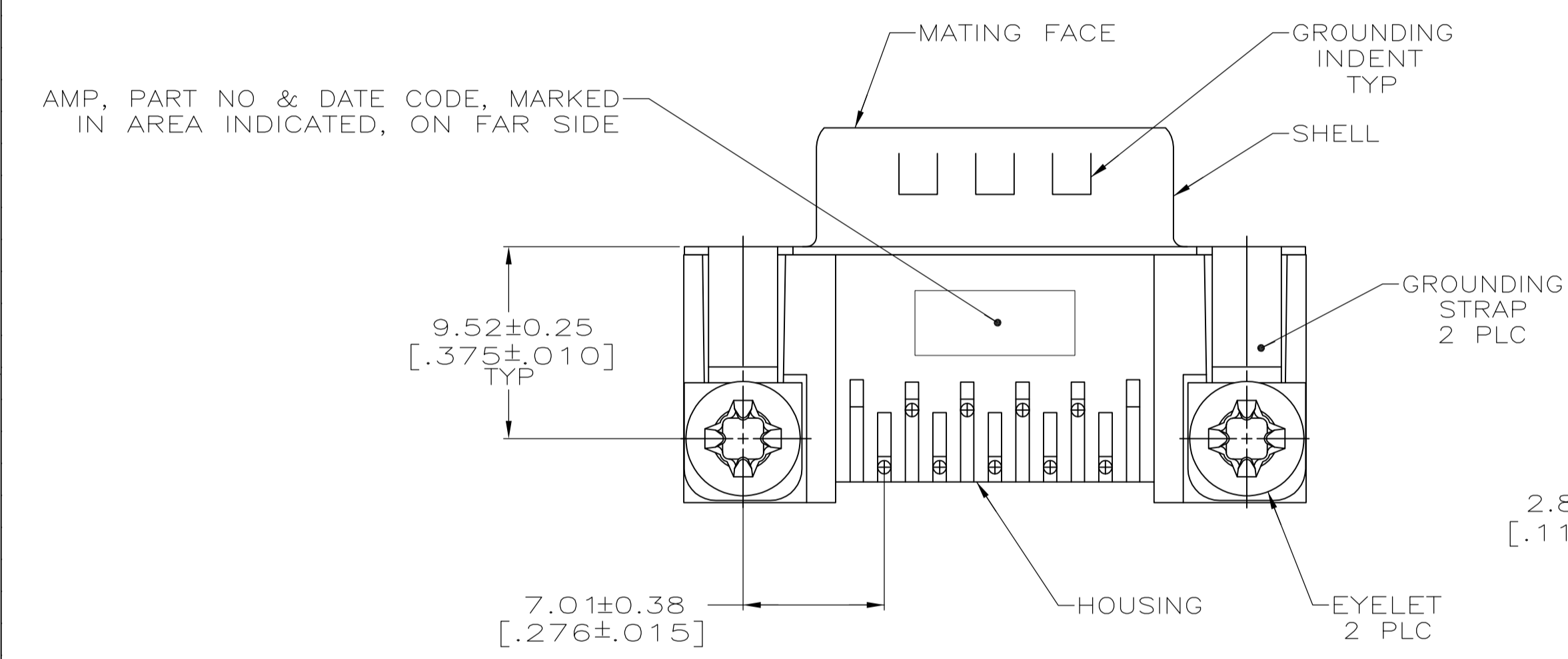


- ① HOUSING: NYLON OR POLYESTER, FLAME RETARDANT 94V-0 RATED, GLASS FILLED, BLACK  
 SHELLS: CARBON STEEL  
 CONTACTS: BRASS  
 BOARDLOCKS: COPPER ALLOY  
 EYELETS: BRASS
- ② SHELLS: 2.54µm[.000100] MIN TIN OVER 1.27µm[.000050] MIN COPPER.  
 EYELETS: 5.08µm[.000200] MIN TIN OVER COPPER FLASH.  
 CONTACTS AND BOARDLOCKS: SEE TABLE.
- ③ GOLD FLASH ON THE MATING SURFACES, 2.54µm[.000100] MIN TIN OR TIN-LEAD PLATE ON THE SOLDER END, 1.27µm[.000050] MIN NICKEL UNDERPLATE ON THE ENTIRE CONTACT.
- ④ 0.76µm[.000030] MIN GOLD PLATE ON THE MATING SURFACES, 2.54µm[.000100] MIN TIN OR TIN-LEAD PLATE ON THE SOLDER END, 1.27µm[.000050] MIN NICKEL UNDERPLATE ON THE ENTIRE CONTACT  
 -OR-  
 GOLD FLASH OVER PALLADIUM-NICKEL PLATE, 0.76µm[.000030] MIN TOTAL ON THE MATING SURFACES, 2.54µm[.000100] MIN TIN OR TIN-LEAD PLATE ON THE SOLDER END, 1.27µm[.000050] MIN NICKEL UNDERPLATE ON THE ENTIRE CONTACT.
- ⑤ 5.08µm[.000200] MIN TIN-LEAD OVER 1.27µm[.000050] MIN NICKEL.
- ⑥ 5.08µm[.000200] MIN TIN OVER 1.27µm[.000050] MIN NICKEL.
- ⑦ DIMENSION APPLIES FROM CENTER OF CONTACTS.
- ⑧ CLEAR CHROMATE.
- ⑨ OBSOLETE PARTS: OBSOLETE CIS STREAMLINING PER D.RENAUD/D.SINISI.



	TRAY	SEE DETAIL E	⑥	④	7-747840-1
	-	SEE DETAIL E	⑥	③	7-747840-0
	TRAY	SEE DETAIL D	⑥	④	6-747840-9
⑨	OBSOLETE	SEE DETAIL D	⑥	③	-6-747840-8
⑨	OBSOLETE	-	⑥	④	-6-747840-7
	OBSOLETE	TRAY SPECIAL	⑤	④	1-747840-2
SUPSD BY 747840-6	TUBE	SEE DETAIL E	⑤	④	1-747840-0
SUPSD BY 747840-3	TUBE	SEE DETAIL D	⑤	③	747840-9
SUPSD BY 747840-4	TUBE	SEE DETAIL D	⑤	④	747840-8
	OBSOLETE	SEE DETAIL C	⑤	③	747840-7
	TRAY	SEE DETAIL E	⑤	④	747840-6
	-	SEE DETAIL E	⑤	③	747840-5
	TRAY	SEE DETAIL D	⑤	④	747840-4
	TRAY	SEE DETAIL D	⑤	③	747840-3
SUPSD BY 5747840-2	-	-	⑤	④	747840-2
SUPSD BY 5747840-2	-	-	⑤	③	747840-1
	PACKAGING	MOUNTING HARDWARE	BOARDLOCK FINISH	CONTACT FINISH	PART NUMBER

THIS DRAWING IS A CONTROLLED DOCUMENT. DIMENSIONING AND TOLERANCING PER ASME Y14.5M-2009.

W.G. LENKER 05 OCT 89  
 R. STONE 05 FEB 90  
 M.D. GALLOWAY 06 FEB 90

STE TE Connectivity

NAME: PLUG ASSEMBLY, SIZE 1, 9 POSITION, RIGHT ANGLE, FRONT METAL SHELL, .318 SERIES, BOARDLOCKS, AMPLIMITE® HD-20

PRODUCT SPEC: 108-40025  
 APPLICATION SPEC: 114-40010

SIZE: A1  
 CAGE CODE: 00779  
 DRAWING NO: 747840

WEIGHT: -  
 CUSTOMER DRAWING

SCALE: 4:1  
 SHEET: 1 of 1  
 REV: Z